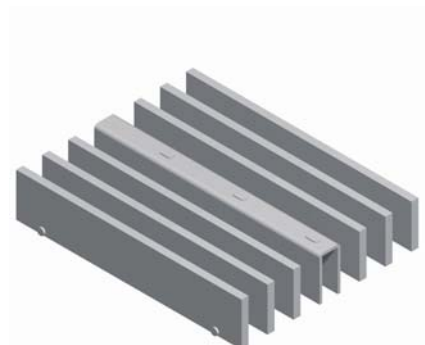


Barrot Antiquum



Barrot Castrum



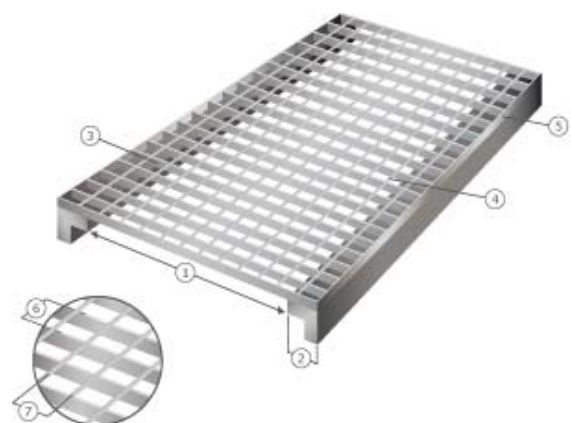
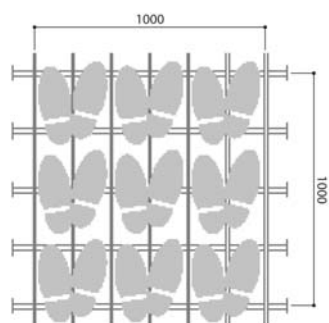
LOADING TABLES FOR PEDESTRIAN USE AND SERVICE ACCESS

Orsogril loading tables for **Barrot** gratings provide information relating to uniformly distributed loads (UDL) in kiloNewtons per square metre which will result in a deflection within 1/200th of the clear span or 10mm whichever is the lesser. The calculations shown in this guide were derived using performance characteristics for Mild Steel (BS EN 10025: S235JR) manufactured in accordance with industry standards.

All information conforms to BS EN ISO14122 parts 1-3
 Part 1: Choice of fixed means of access between 2 levels
 Part 2: Working platforms and walkways
 Part 3: Stairways, stepladders and guard-rails

Type of use	Flooring
Single person	3kN/m ²
Two way pedestrian traffic	5kN/m ²
Two way pedestrian traffic with service equipment	7.5kN/m ²

Source: British Standard
 Ref: BS 5395-3 Flooring
 Ref: BS 4592-1 Flooring
 Ref: BS 4592-1 Stairtreads



1. Clear Span	5. Framing Bar
2. Bearing Area	6. Load Bearing Bar Centres
3. Load Bearing Bar	7. Transverse Bar Centres
4. Transverse Bar	

ORSOGRIL UK

SUPPLIERS OF ARCHITECTURAL GRATINGS, LOUVRED GRILLES, FENCING AND GATES

tel 0131 441 1255 fax 0131 441 4161 sales@orsogril.co.uk www.orsogril.co.uk

ORSOGRIL Barrot Loading Tables

Standard:	BS 4592 Part 1 Industrial floorings
Steel:	S235 JR
Sigma:	1600 daN/cm ² ,
Elastic Deflection:	< 1/200Ln, <10mm

Barrot ANTIQUUM

Uniform Load	3 KN/m ²		5 KN/m ²		7,5 KN/m ²	
Bearing bar	Max. Clear Span	Deflection	Max. Clear Span	Deflection	Max. Clear Span	Deflection
	mm	mm	mm	mm	mm	mm
U 25x12x25x1,5	1787	8.93	1507	7.53	1316	6.57

Barrot CASTRUM

Uniform Load	3 KN/m ²		5 KN/m ²		7,5 KN/m ²	
Bearing bar	Max. Clear Span	Deflection	Max. Clear Span	Deflection	Max. Clear Span	Deflection
	mm	mm	mm	mm	mm	mm
25x3 flat bar + U 25x12x25x1,5	1912	9.55	1613	8.06	1409	7.04

The information regarding product application is a guide in the use of the product and not a guarantee as to its performance since we have no control over the use or conditions to which other parties may apply the product. The specifier or customer must satisfy themselves that the product is suitable for the purpose and conditions of use. In no event will we be liable for any loss or damage including without limitation, indirect or consequential loss or damage.