



Grating Fences

STEROPEX



STEROPEX is a lower cost addition to the Orsogril range of contemporary grating fences for boundary and security applications; suitable for all residential, municipal and commercial locations.

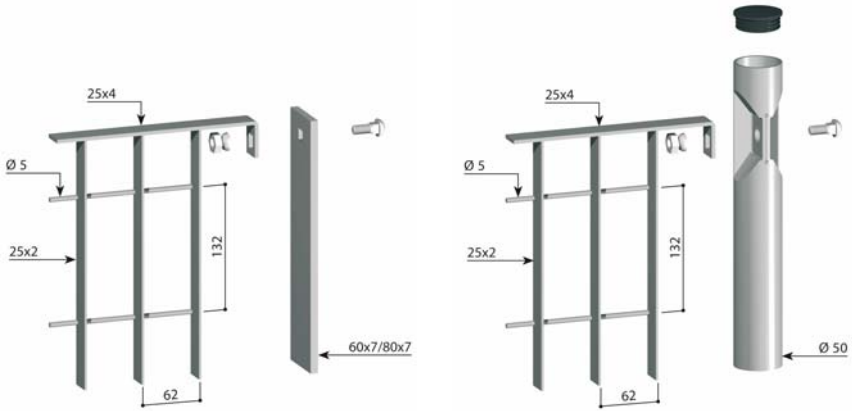
The grating is manufactured from hot-dip zinc coated steel (BS EN 10327) using an advanced electrofusion process which totally amalgamates the component flat

bars and round bars for strength and complete integrity.

It is then polyester powder coated (BS EN 13438) producing an exceptionally smooth and durable finish with excellent resistance to corrosion.

The post to panel system creates an aesthetically pleasing monobloc fence offering much greater resistance to vandalism than welded wire mesh.





Corners & Stepping: adjustable collars are fitted over plain tubular posts and set at appropriate angles and/or heights for adjacent panels.

Non-standard Panel Widths: fixing lugs slide on to the framing bars connecting a panel of reduced width to the post.



Stainless steel security bolts with snap-off nuts.

PANELS		ROUND POST	FLAT BAR POST	GROUND/WALL FIXING		BOLTS
Height mm	Weight kg	Diameter mm	Section mm	Post Length mm		No per Post
930	17	50	60x7	1500	1210	2
1194	21	50	60x7	1800	1494	2
1326	23	50	60x7	2000	1625	2
1458	25	50	60x7	2100	1758	2
1722	29	50	60x7	2400	2015	2
1986	34	-	80x7	2800	2336	3
2118	35	-	80x7	2900	2470	3
2382	39	-	80x7	3050	2915	3

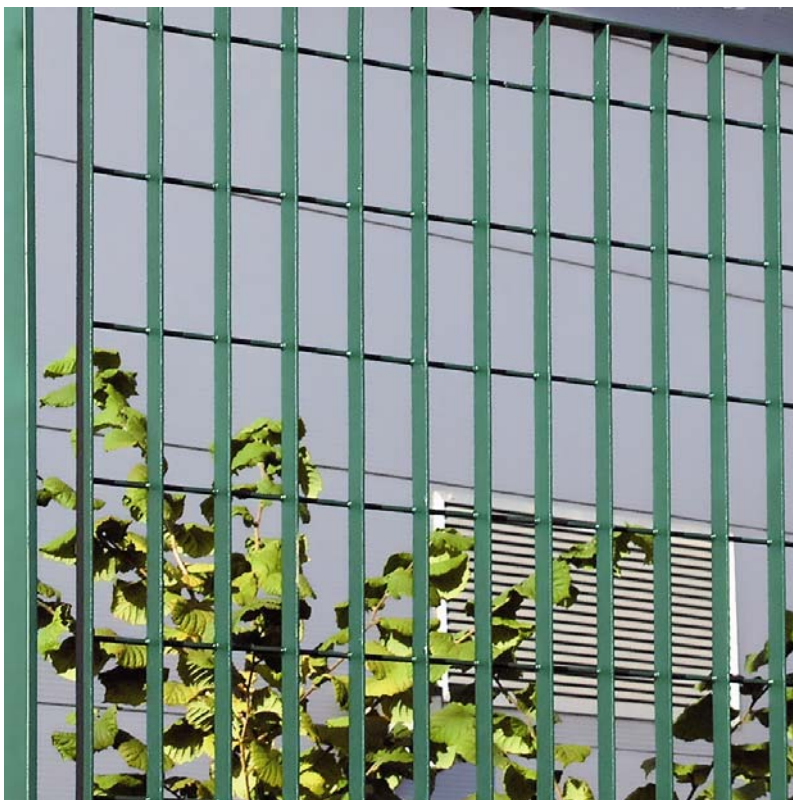
STANDARD PANEL WIDTH

1992mm for post centres at 2000mm

STANDARD COLOURS

Moss Green RAL6005 or Mica Grey 223

0



ORSOGRIL^{UK}

t 0131 441 1255 f 0131 441 4161 sales@orsogril.co.uk www.orsogril.co.uk

Newbridge Industrial Estate, Newbridge, Edinburgh EH28 8PJ